



TG TYPE

GEAR PUMP

TG Model

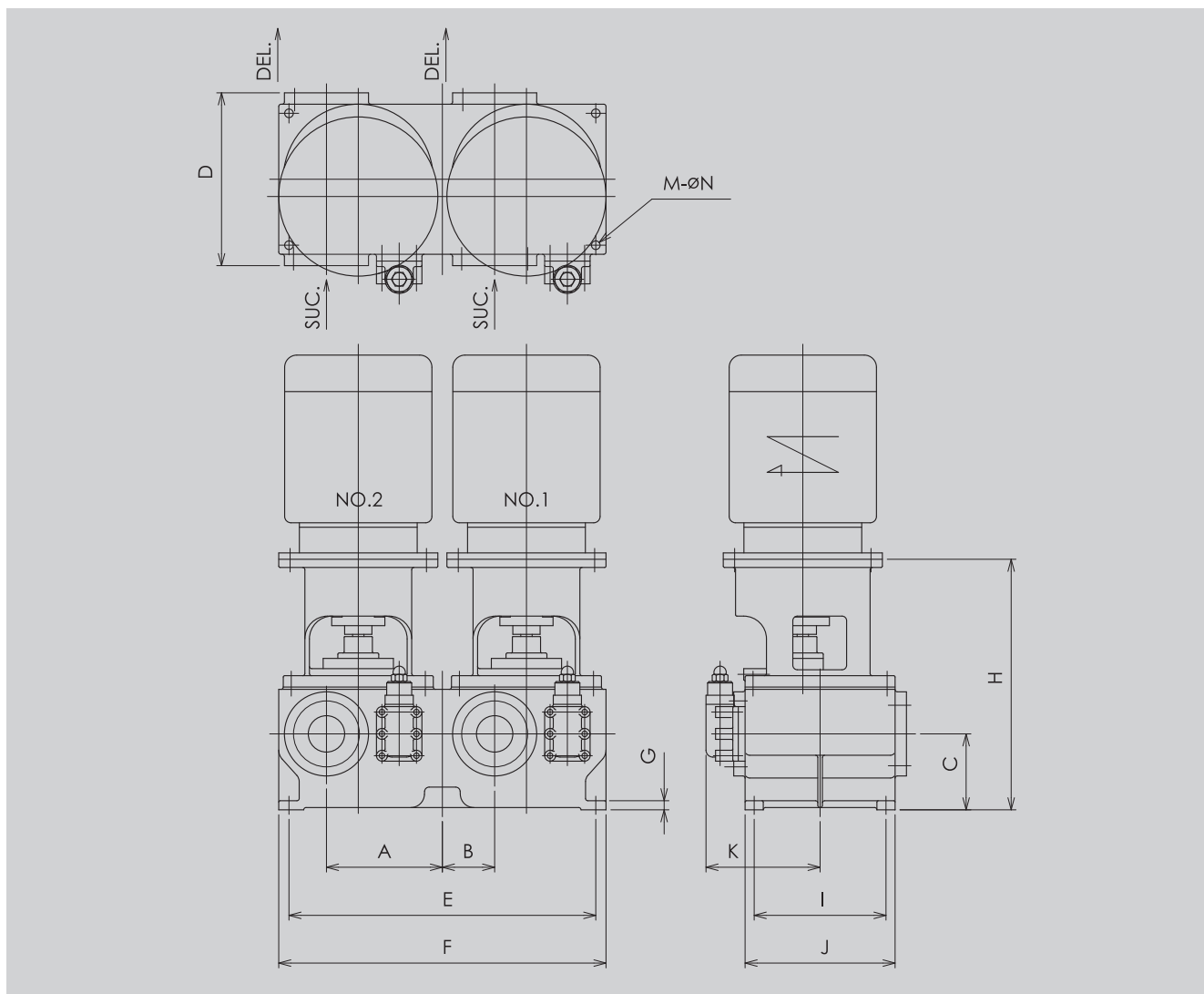
用途/Service

- * 燃料油供給(ブースト)ポンプ * Fuel Oil Supply(Booster) Pump
- * 燃料油循環ポンプ * Fuel Oil Circulating Pump
- * その他 * Others

OUTLINE DRAWING ▶

PERFORMANCE CHART ▶

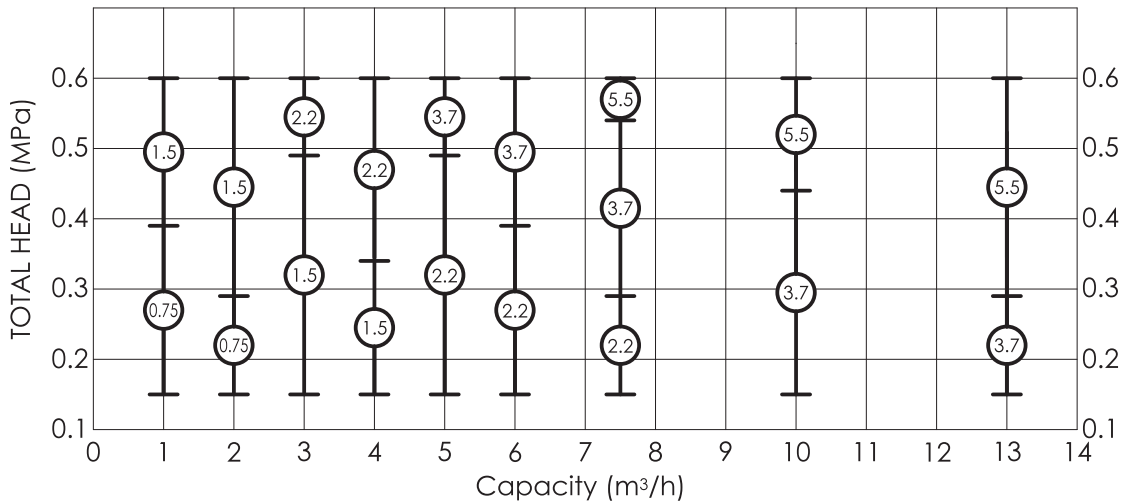
TG Model <OUTLINE DRAWING>



Model	Bore		A	B	C	D	E	F	G	H	I	J	K	M	N
	Suc.	Del.													
TG50	50	50	220	90	140	300	600	650	20	456	230	270	225	4	19
TG80	80	80	255	115	167	380	675	720	20	521	290	330	260	4	19

TG TYPE PERFORMANCE CHART

Viscosity:26~260cst



TYPE	TG 50					TG 80			
		-501	-502	-503	-601	-602	-701	-702	-801