

CENTRIFUGAL PUMP

HLY-N Model



HLY-N TYPE

用途/Service

- * 清水ポンプ
 - * 飲料水ポンプ
 - * その他
- * Fresh Water Pump
 - * Drinking Water Pump
 - * Others

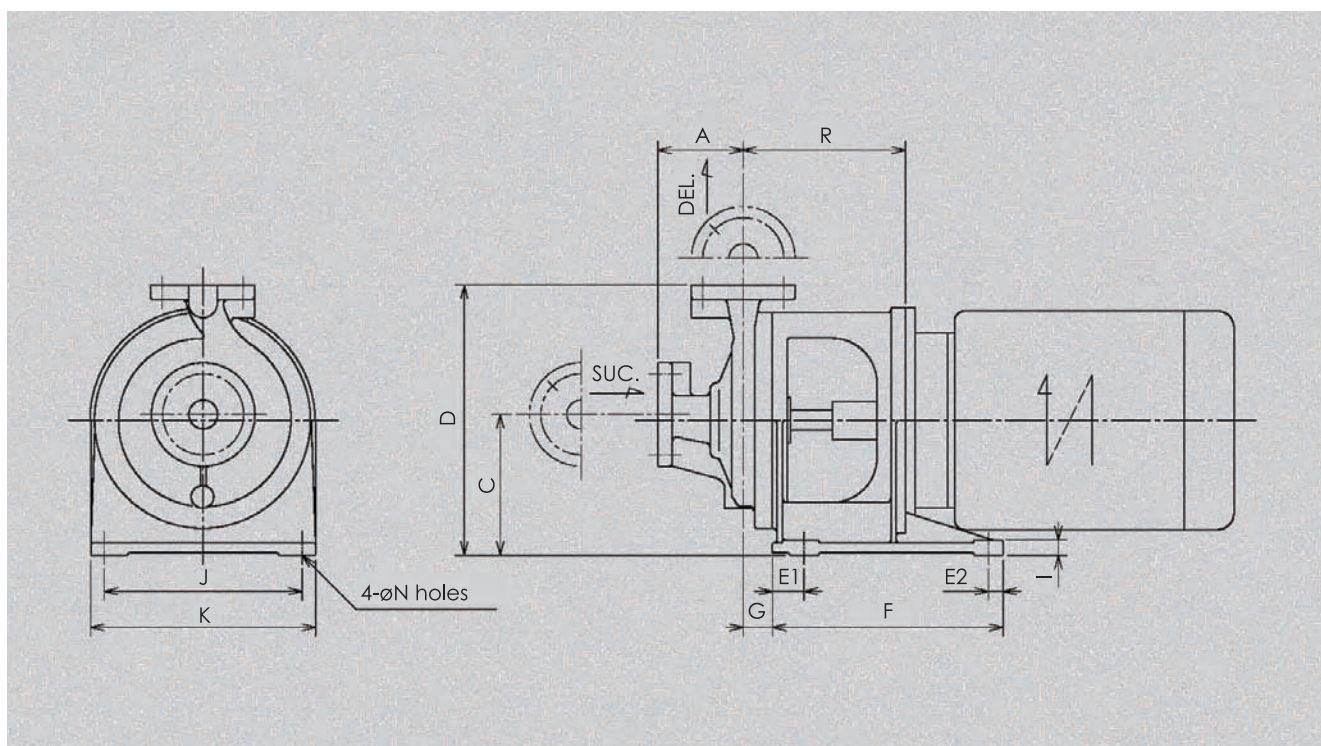
特徴/Note

- * 横置き、縦型壁掛式の兼用モデル
- * This model is available for both Horizontal and Vertical wall mount installation.

OUTLINE DRAWING ▶

PERFORMANCE CHART ▶

HLY-N Model <OUTLINE DRAWING>



Model	Motor (kW)	Bore		A	C	D	E1	E2	F	G	I	J	K	N	R	Weight (kg)
		Suc.	Del.													
■ HLY-5LN	0.4 ~ 3.7	32	32	95	155	315	50	25	200	32	18	150	250	15	130	32
■ HLY-25MN	1.5 ~ 15	65	65	125	230	440	85	25	350	37	25	250	300	19	201	38
■ HLY-55MN	3.7 ~ 15	100	100	130	230	440	85	25	350	37	25	250	300	19	201	40

HLY-N TYPE PERFORMANCE CHART

HORIZONTAL SINGLE STAGE SINGLE SUCTION

